

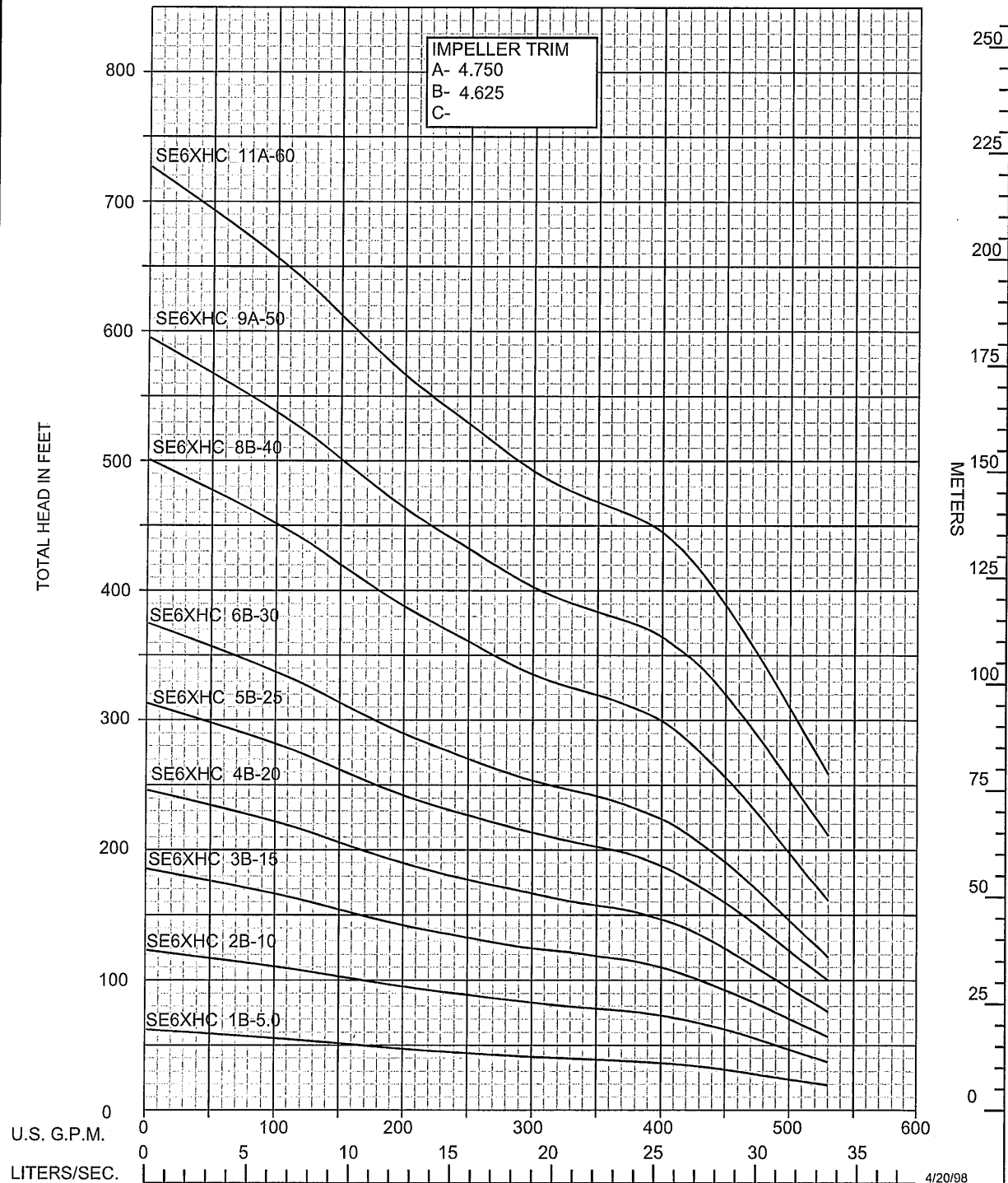
PERFORMANCE BASED ON
PUMPING CLEAR, FRESH
NON-AERATED WATER AT
85° F. MAXIMUM.



SE6XHC

3450 RPM

SUBMERSIBLE PUMP PERFORMANCE



SUBMERSIBLE CURVES

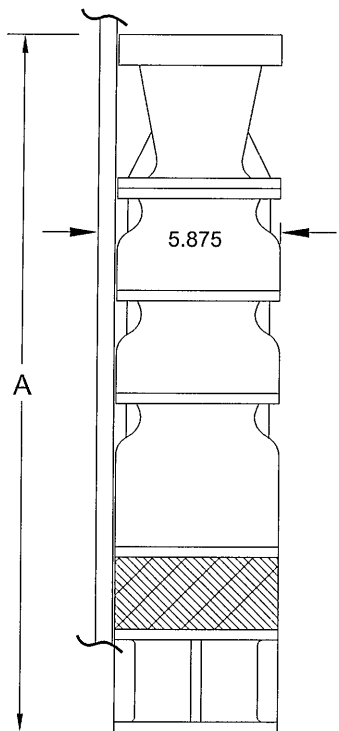
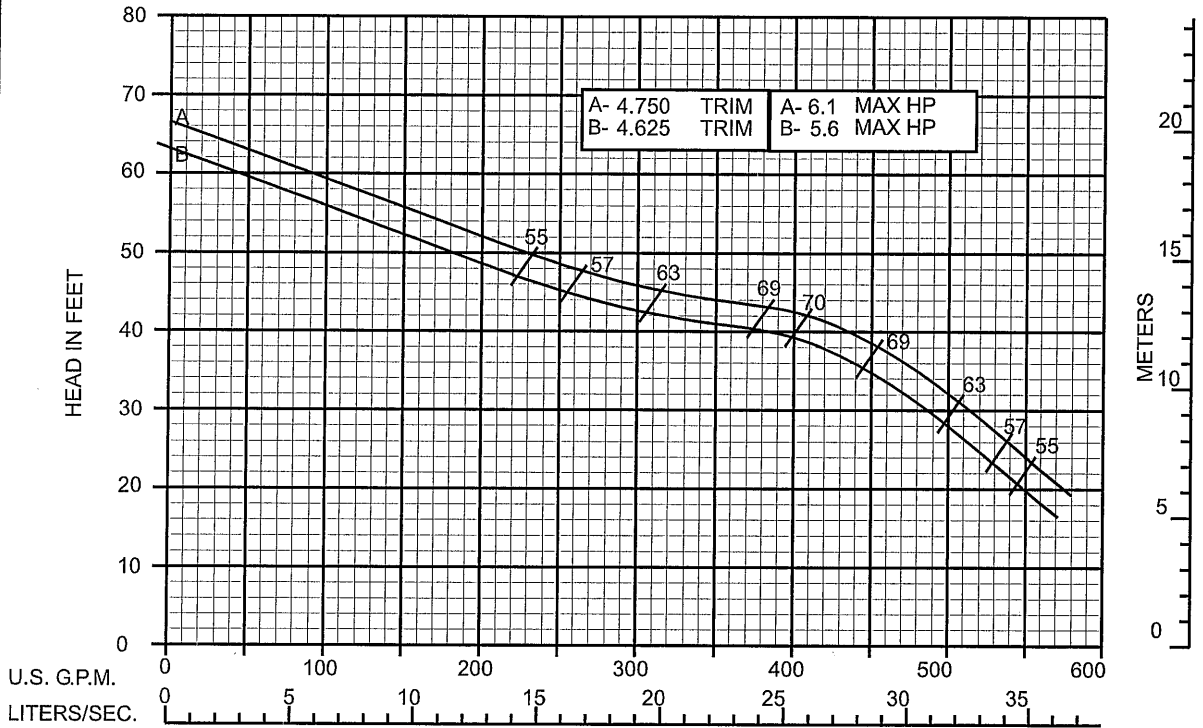
4/20/98
CVSE6XHB2P6CY



SE6XHC

3450 RPM

ONE STAGE SUBMERSIBLE PUMP PERFORMANCE



DIMENSIONS & SPECIFICATIONS

MODEL NUMBER	STAGES	HP.	"A" LENGTH IN INCHES	APPROXIMATE SHIPPING WGT. LBS
SE6XHC 1B-5.0	1	5.0	14.813	60
SE6XHC 2B-10	2	10	21.000	85
SE6XHC 3B-15	3	15	27.188	110
SE6XHC 4B-20	4	20	33.375	135
SE6XHC 5B-25	5	25	39.563	160
SE6XHC 6B-30	6	30	45.750	185
SE6XHC 8B-40	8	40	58.125	235
SE6XHC 9A-50	9	50	64.312	260
SE6XHC 11A-60	11	60	76.688	310

MATERIALS OF CONSTRUCTION

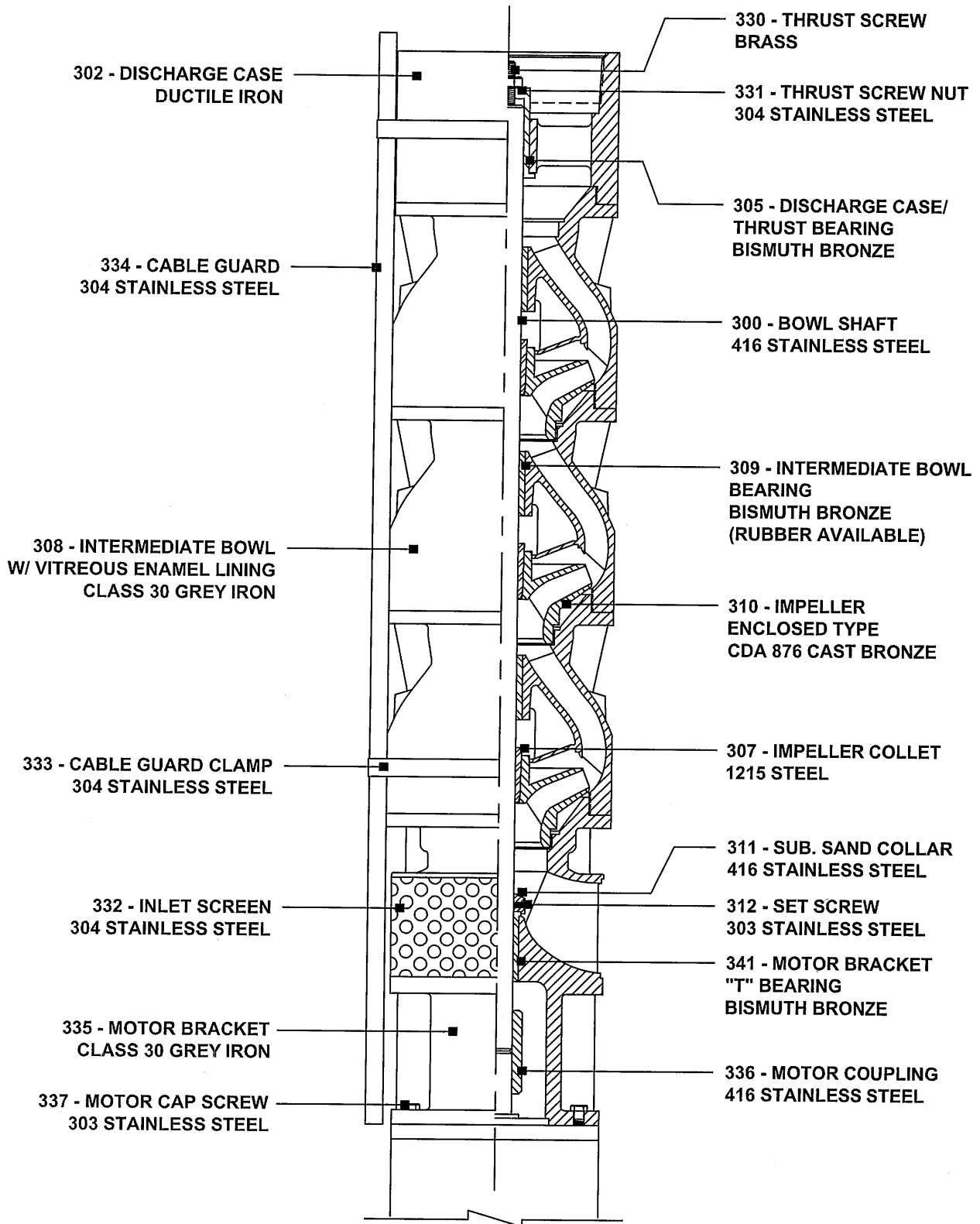
DESCRIPTION	MATERIAL	DESCRIPTION	MATERIAL
BOWL	CAST IRON	THRUST ASSY.	BRONZE
IMPELLER	BRONZE	BOLTS	GRADE 5 STEEL
SHAFT	STAINLESS STL.	SCREEN	STAINLESS STL.
BEARING	BRONZE	CABLE GUARD	STAINLESS STL.

3/29/01
CVSE6XH2PSGL

SUBMERSIBLE CURVES

SUBMERSIBLE PUMP ASSEMBLY

THREADED S6 - SE6 MODELS



ALTERNATE MATERIAL AVAILABLE UPON REQUEST